

# Derby 5000 Carport

Approx. Dim.

501 L x 291 W x 239 H cm / 197.2" L x 114.6" W x 94.1" H



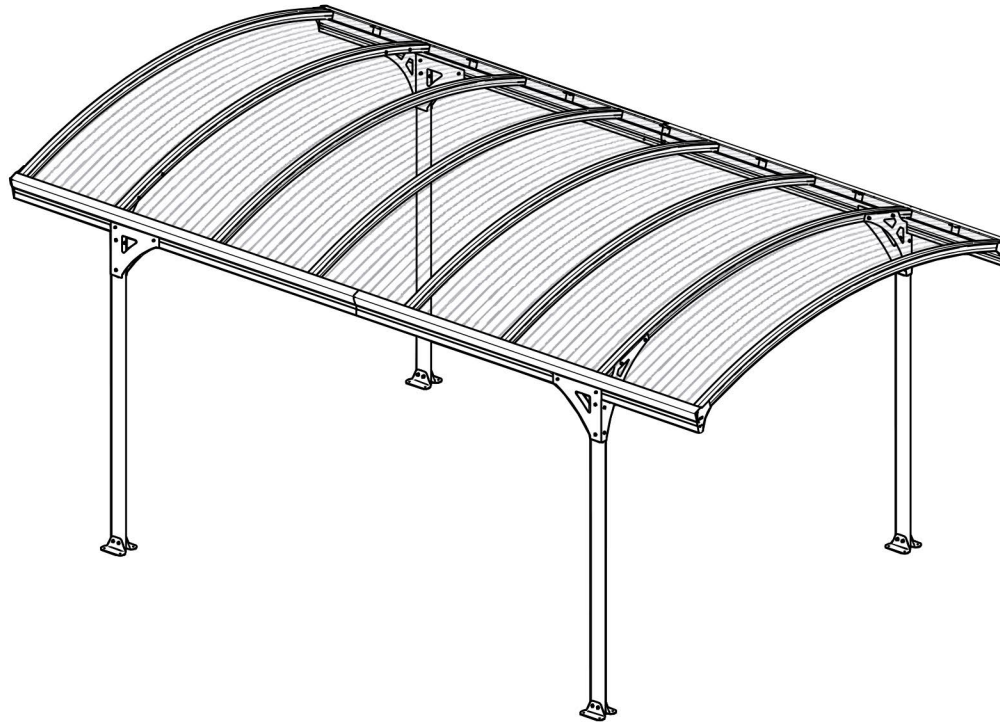
## Wind Resistance

90 km/hr  
56 mi/hr



## Snow Load

100 kg/m<sup>2</sup>  
20 lbs/ft<sup>2</sup>

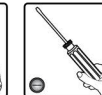
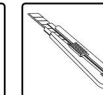
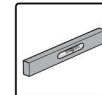
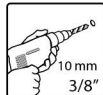


the  
**canopyshop**

T: 0345 241 7182

E: [sales@thecanopyshop.co.uk](mailto:sales@thecanopyshop.co.uk)

W: [www.thecanopyshop.co.uk](http://www.thecanopyshop.co.uk)



**IMPORTANT**

Please read these instructions carefully before you start to assemble this Product.  
Please carry out the steps in the order set out in these instructions.  
Keep these instructions in a safe place for future reference.

## » Care and Safety advice

- Please follow the instructions as listed in this manual.
- Sort the parts and check against the list of contents.
- For safety purposes we strongly recommend that the product will be assembled by at least two people.
- Some parts have metal edges. Please be careful when handling components. Always wear gloves, shoes and safety goggles during assembly.
- Do not attempt to assemble the carport in windy or wet conditions.
- Dispose of all plastic bags safely – keep them out of reach of small children.
- Keep children away from the assembly area.
- Do not attempt to assemble the carport if you are tired, have taken drugs, medications or alcohol, or if you are prone to dizzy spells.
- When using a stepladder or power tools, ensure that you are follow the manufacturer's safety advice.
- Do not climb or stand on the roof.
- Heavy articles should not be leaned against the poles.
- Please consult your local authorities if any permits are required to erect carport.
- Keep roof and gutters clean of snow, dirt & leaves.
- Heavy amounts of snow on roof can damage the carport making it unsafe to stand below or nearby.
- This product was designed to be used mainly as a carport.

» Some versions of this carport are painted.

If color was scratched during assembly it can be fixed with the following tints:  
Gray – RAL 7012

## » Cleaning instructions

When your carport needs cleaning, use a mild detergent solution and rinse with cold clean water.

Do not use acetone, abrasive cleaners, or others special detergents to clean the panel.

## » Before Starting Assembly

- This carport must be assembled on a solid base (such as concrete or asphalt).
- Choose your site carefully before beginning assembly. Site surface (mainly below poles) needs to be level.
- During assembly use a soft platform below the parts to avoid scratches and damages.

## » T001



## » During Assembly



When encountering the information icon, please refer to the relevant assembly step for additional comments and assistance.

The Vitoria carport has 4 gutters heads, you can choose whether to make them active or keep them in its original condition - non active. To activate please follow step 15

**Step 1:** Carefully spread silicone glue along the cross-section of the profile #7573 and at once attach the profiles together. It is recommended to wipe the extra residue silicone

**Step 3:**

- It is recommended to place a sheet / Carton below the parts to avoid scratches and peeling of paint.
- Profile should be fixed in front of the second set of holes from the edge.

**Step 5:** Please connect two parts when one person lifts the construction at an angle as illustrated in drawing 5a.

**Step 9:** Central channel should remain open. Please place the panel aside the central channel of the arched profile, as illustrated in the top circle.

**Step 10:** Do not tighten the screws fully, until both sides panels in place.

**Step 11:** Profile stretching occurs only when all screws closed fully, at the same time; on both sides

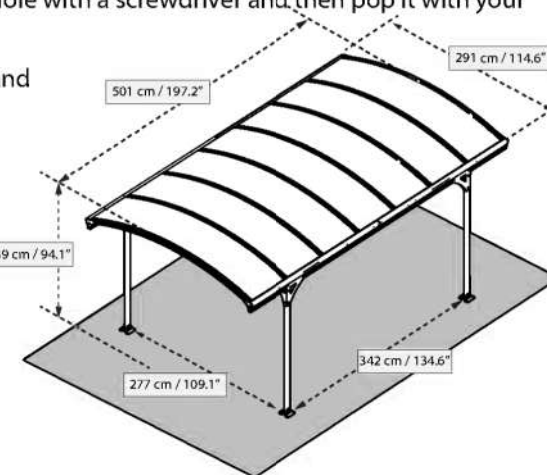
**Step 12:** Repeat and follow the same action for all profiles left as explained in stages 10-11.

**Step 15:** Optional – if you wish to use the gutters heads for water drainage, pop the inner plastic by making a small hole with a screwdriver and then pop it with your finger.

**Step 17:** Level the profiles legs and then adapt screws and plugs to the ground type.

## » General:

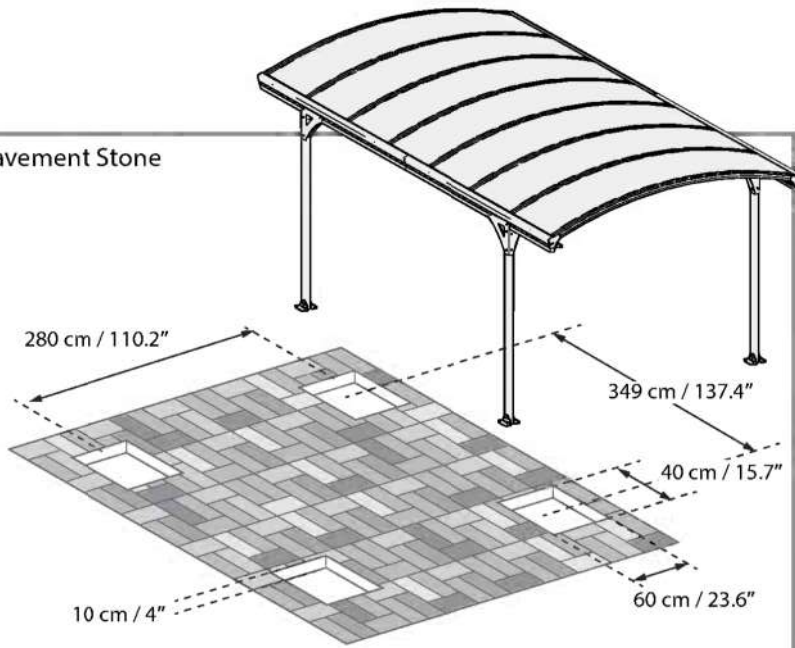
- Tighten all screws at the end of assembly.





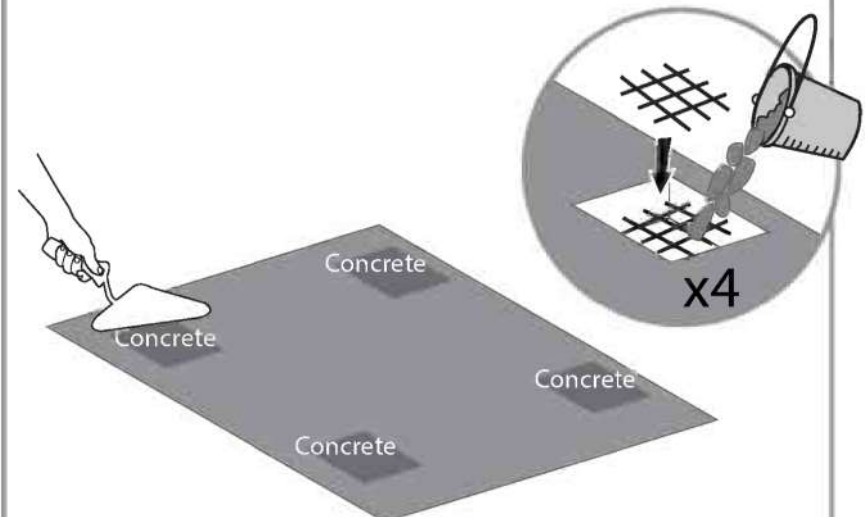
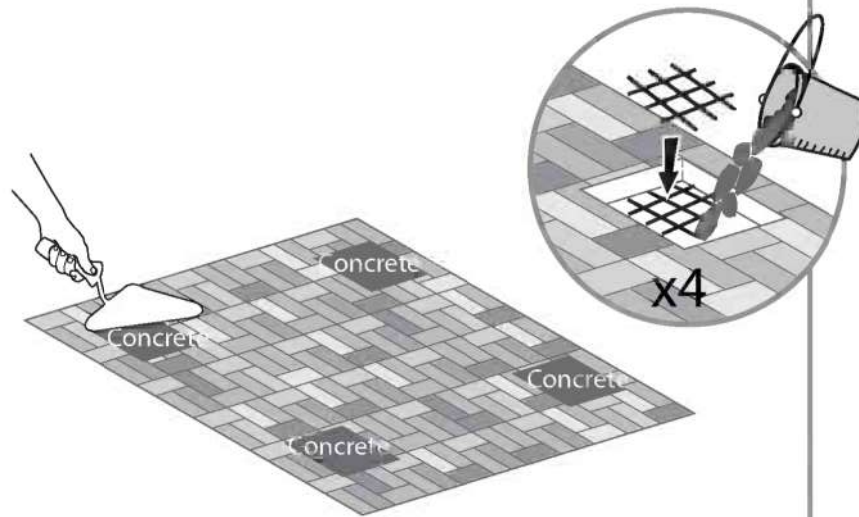
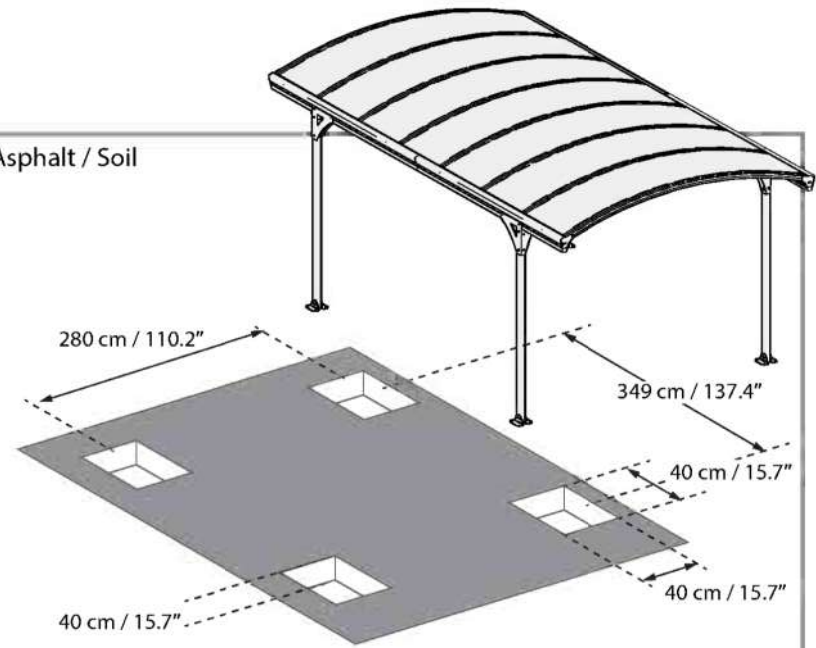
This carport should be assembled on a solid base (such as concrete). Without solid base, pre-foundation, that will include concrete and metal, is needed as in this drawing

Pavement Stone



OR

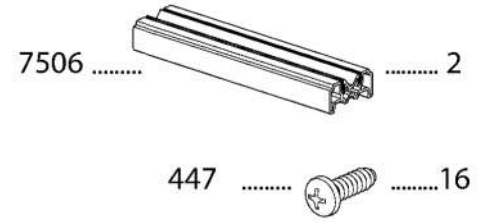
Asphalt / Soil



# Contents

Item		Qty.	Item		Qty.	Item		Qty.	Item		Qty.
8002		4	7577		7	4042		16 (+1)	7121		32 (+3)
7569		6	7578		2	7567		8 (+1)	433		80 (+5)
7570		2	7506		2	7579		8 (+1)	466		32 (+4)
7571		8	7574		4	7710		2	8192		32 (+3)
7572		2	7575		8	7711		2	450		104 (+11)
7573		2	212		8	7580		14	447		16 (+6)
						T001		1	4000		16 (+1)
									4010		16 (+1)
									5000		80 (+4)
									5001		16 (+2)

**1** **i**



**a**

**b**

**c**

SILICON CAULK

x2

x2

x2

7573

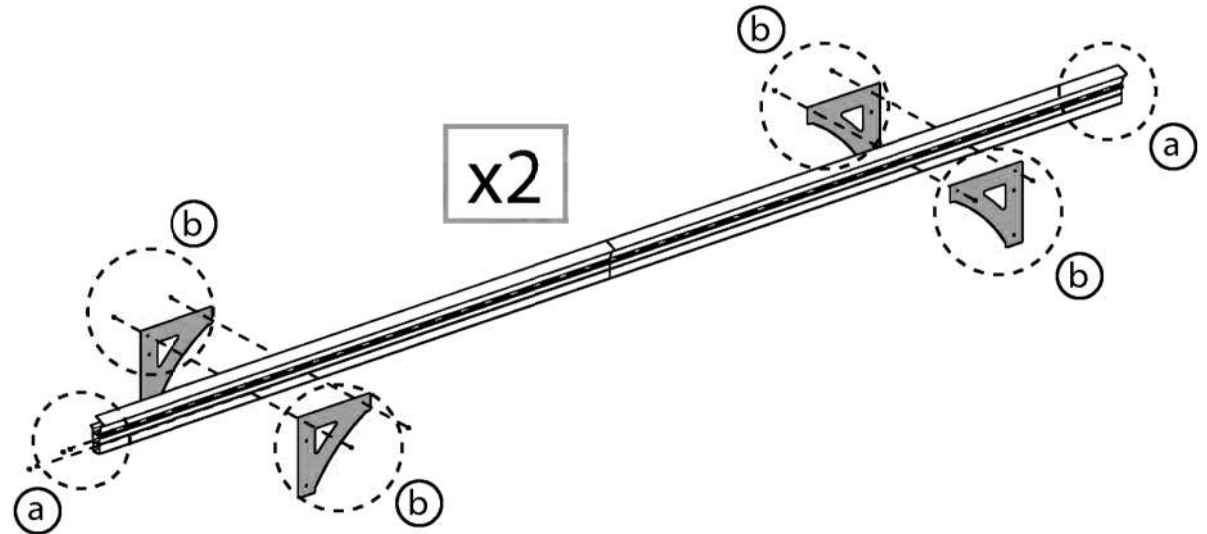
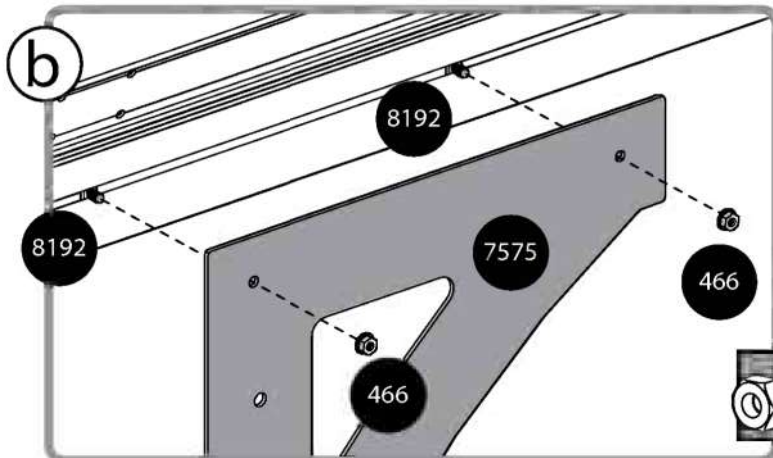
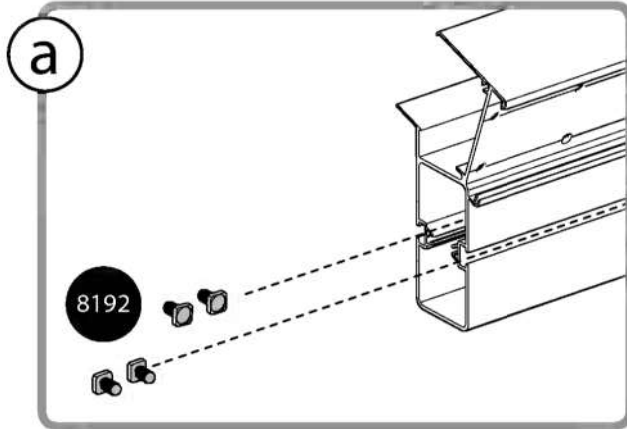
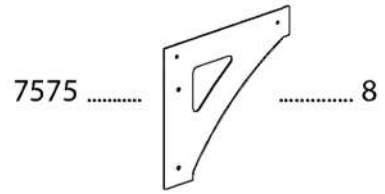
7506

7572

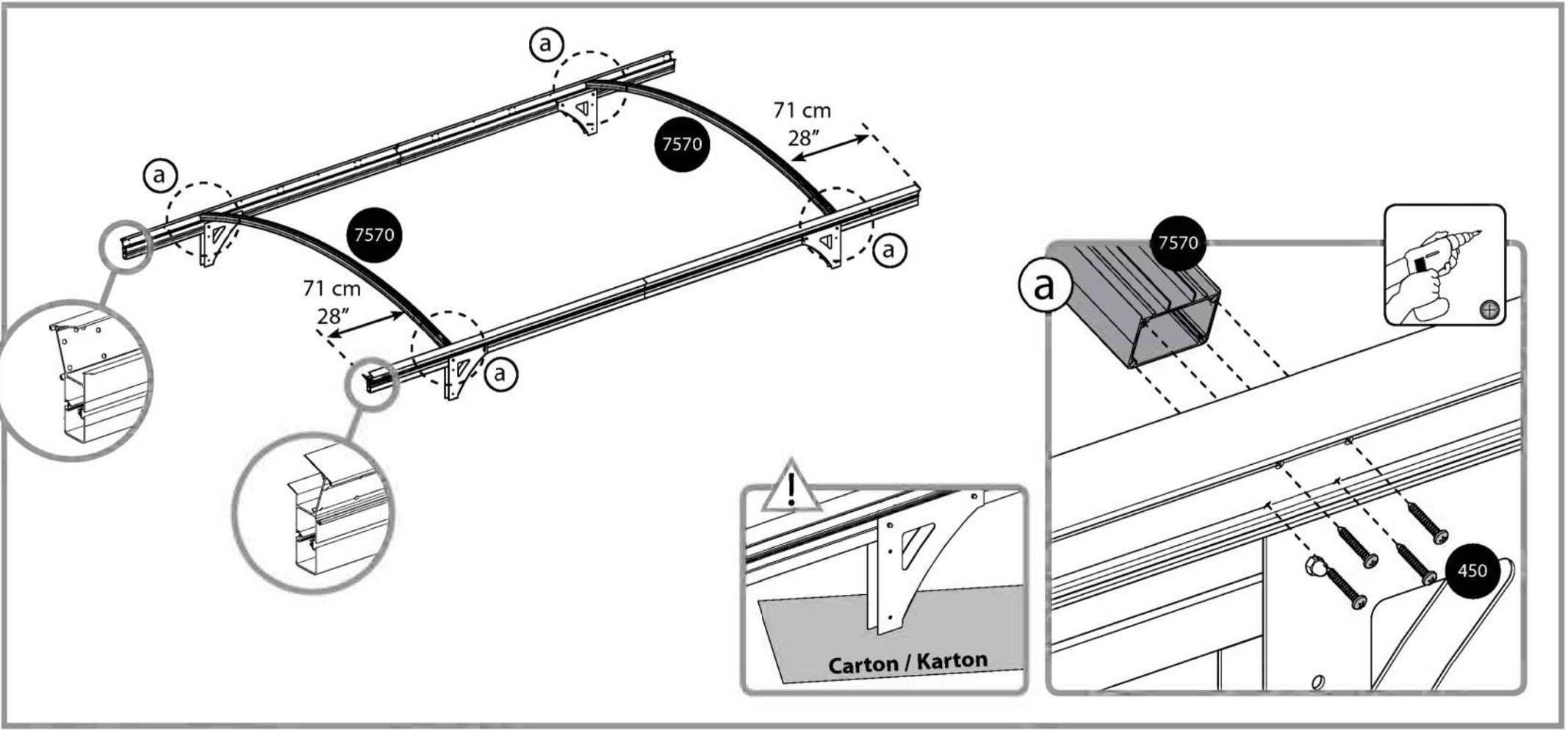
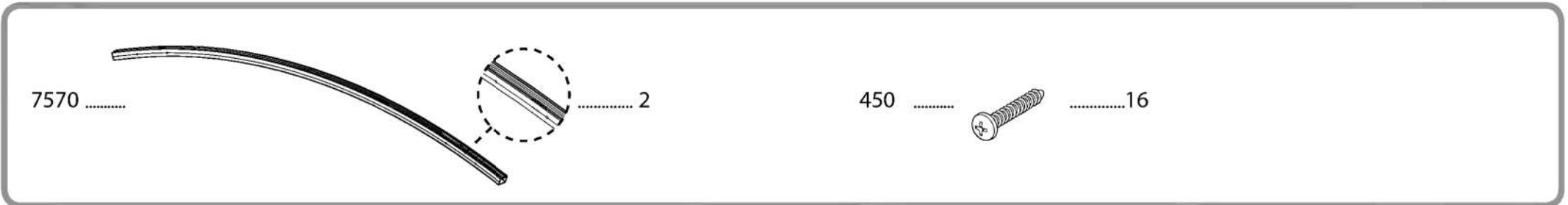
447

The main assembly diagram shows two long profiles (7572 and 7573) being joined by a shorter profile (7506). Callout 'a' shows the profiles being aligned. Callout 'b' shows a tube of silicon caulk being applied to the joint. Callout 'c' shows 16 screws (447) being inserted into the profiles. The entire assembly is shown twice, indicated by 'x2'.

2



**3** **i**



4



8002 ..... 4

212 ..... 8

4042 ..... 8  
M8x60

5000 ..... 16

433 ..... 16

7121 ..... 8  
M8

a

8002

5000

7121

433

212

212

433

4042

5000

8002

x4

a



**5** **i**

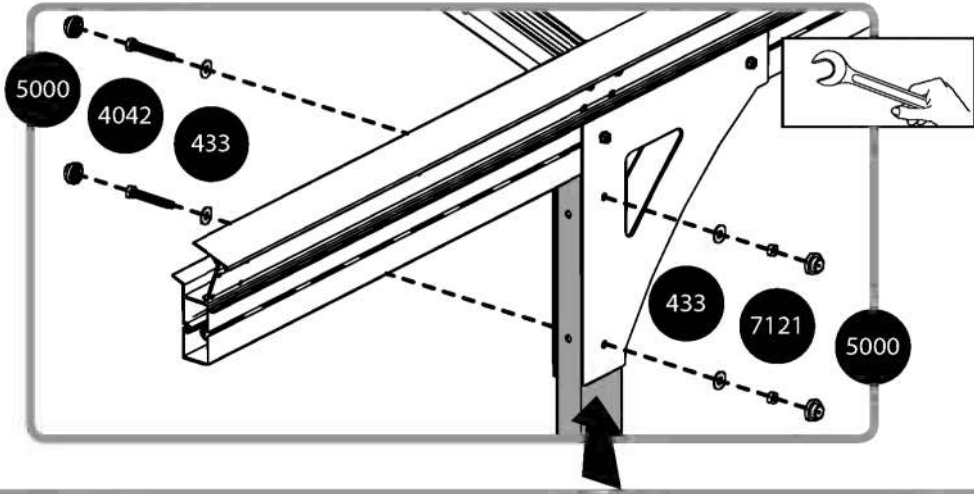
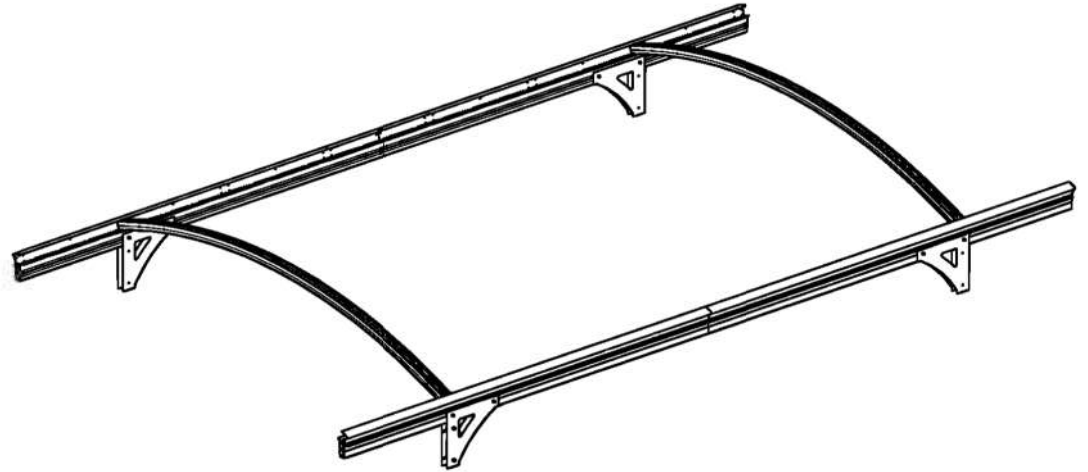
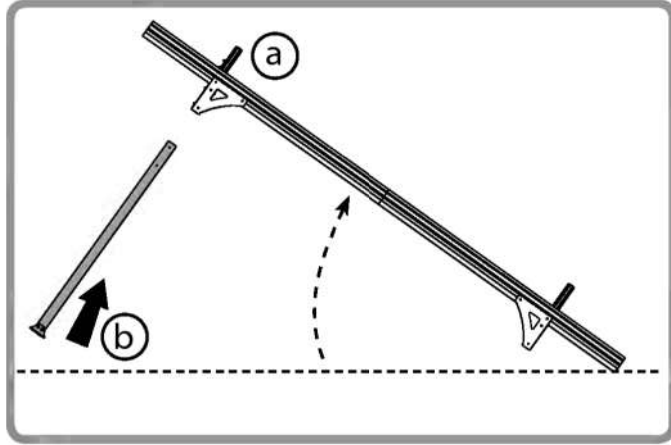


4042 ..... 2  
M8x60


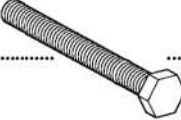
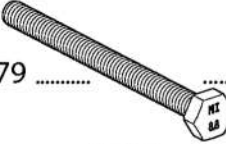




433 ..... 4

5000 ..... 4

7121 ..... 2  
M8


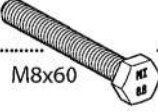
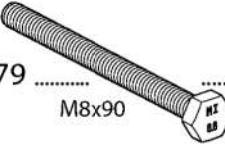









7574 .....		..... 1	7567 .....		..... 2	M8x75	7579 .....		..... 2	M8x90	5000 .....		..... 8	433 .....		..... 8
											5001 .....		..... 4	7121 .....		..... 4
																M8

**a**

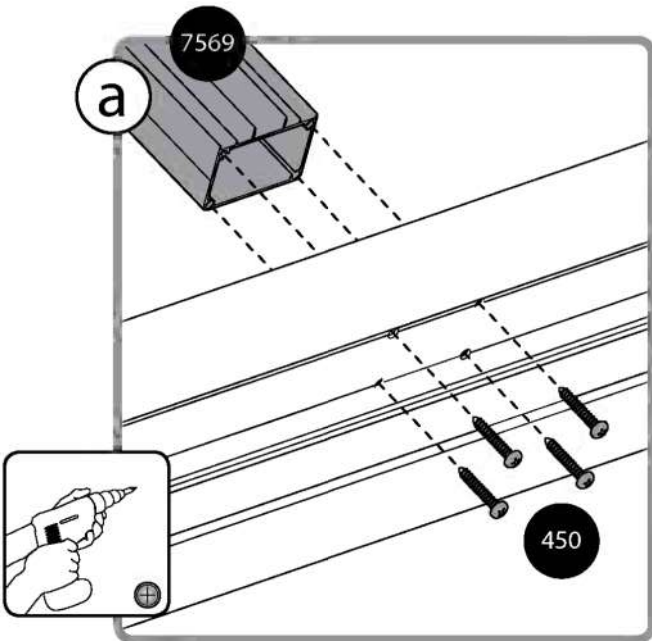
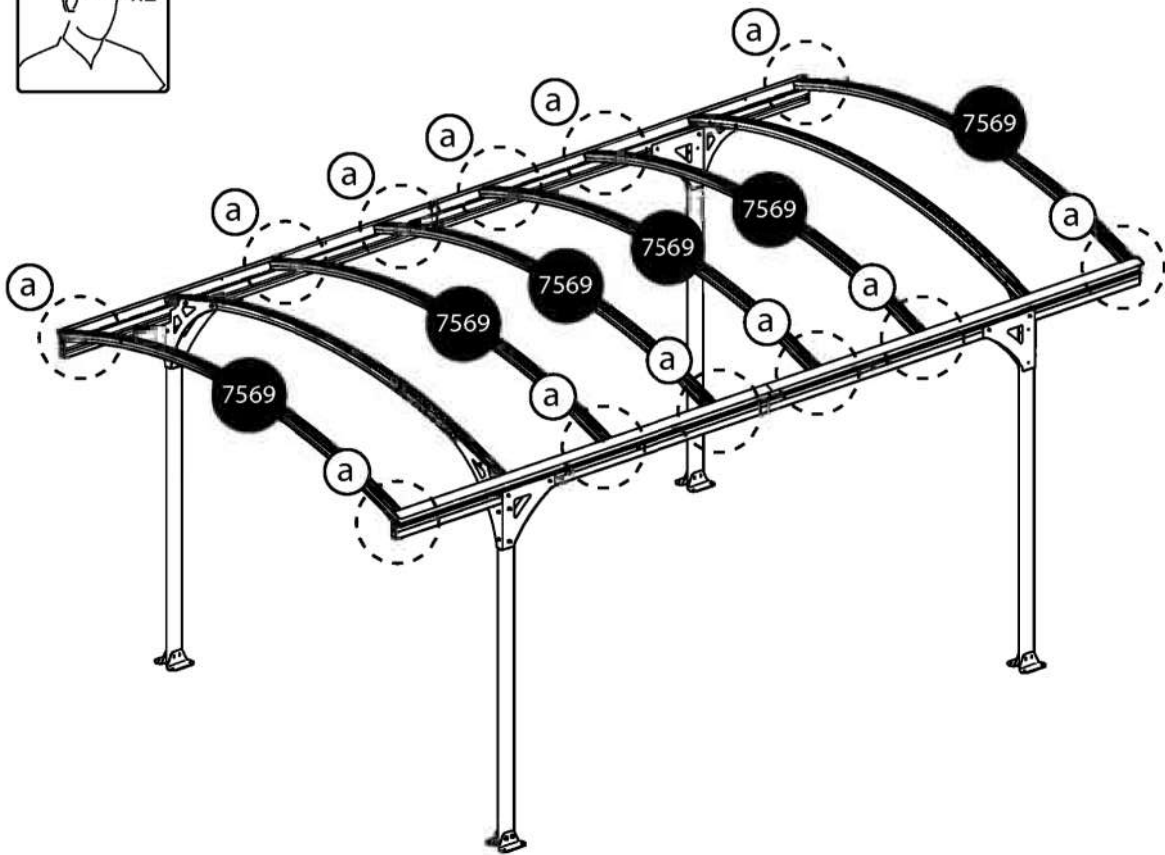


7574 ..... 	.....3	4042 ..... M8x60 	.....6	7579 ..... M8x90 	.....6	5000 ..... 	.....36	433 ..... 	.....36
		7567 ..... M8x75 	.....6			5001 ..... 	.....12	7121 ..... M8 	.....18

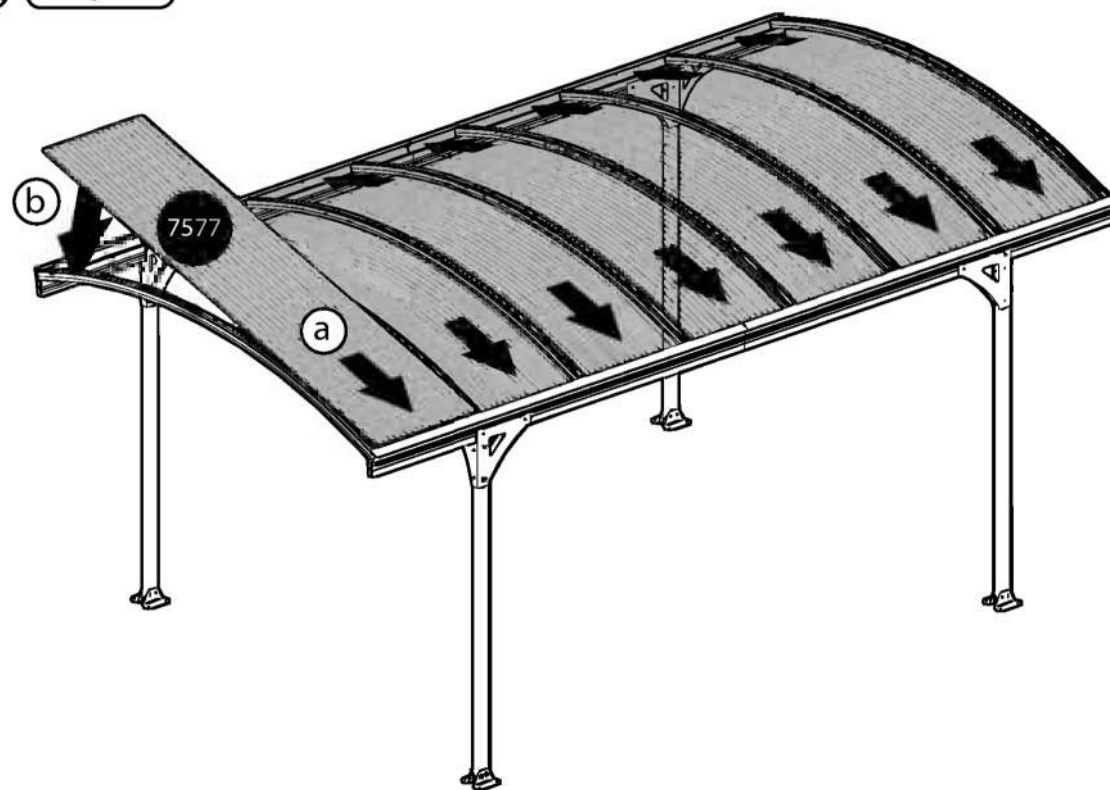
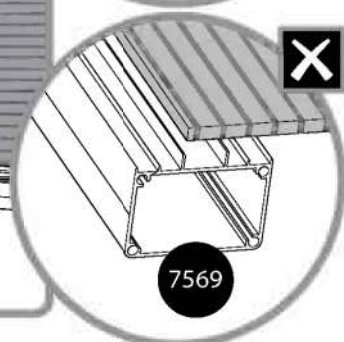
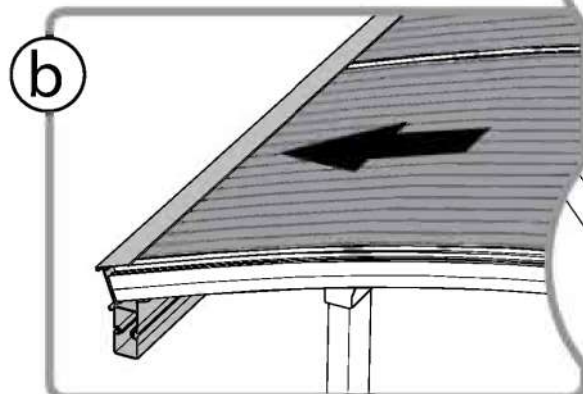
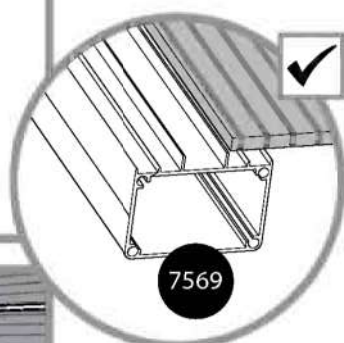
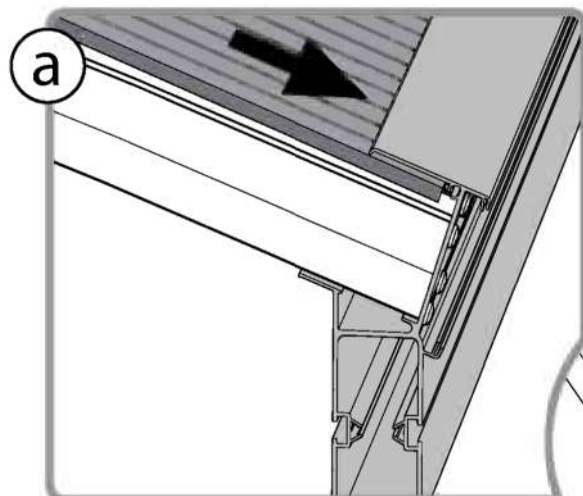
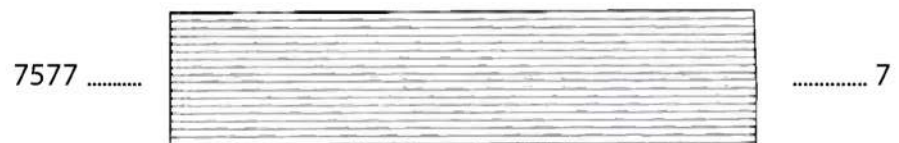
8



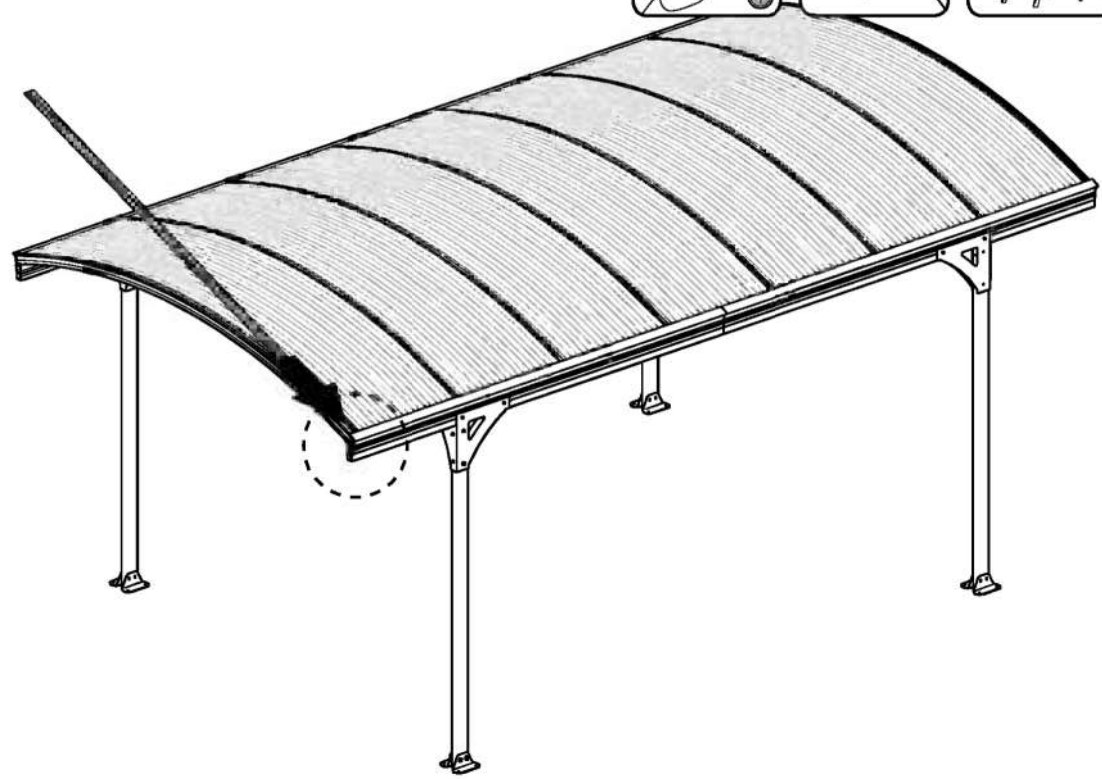
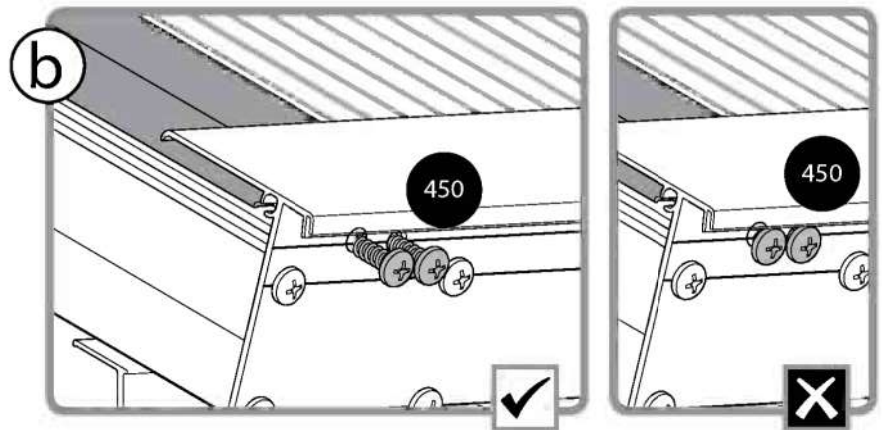
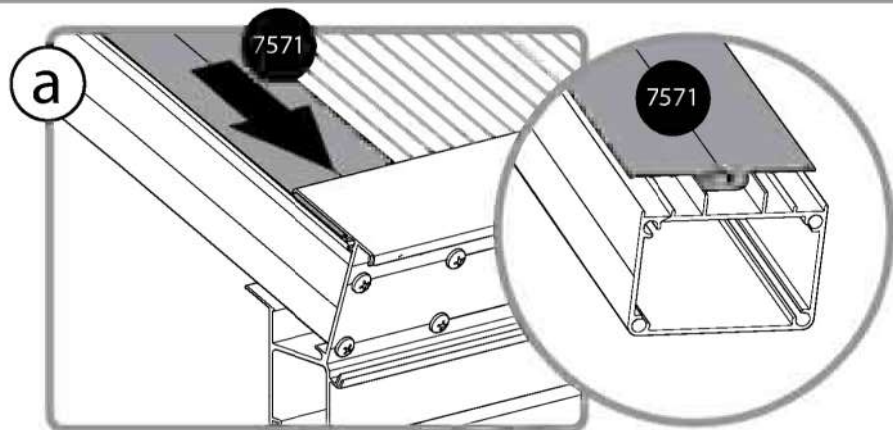
7569 ..... 6      450 ..... 48



9 **i**

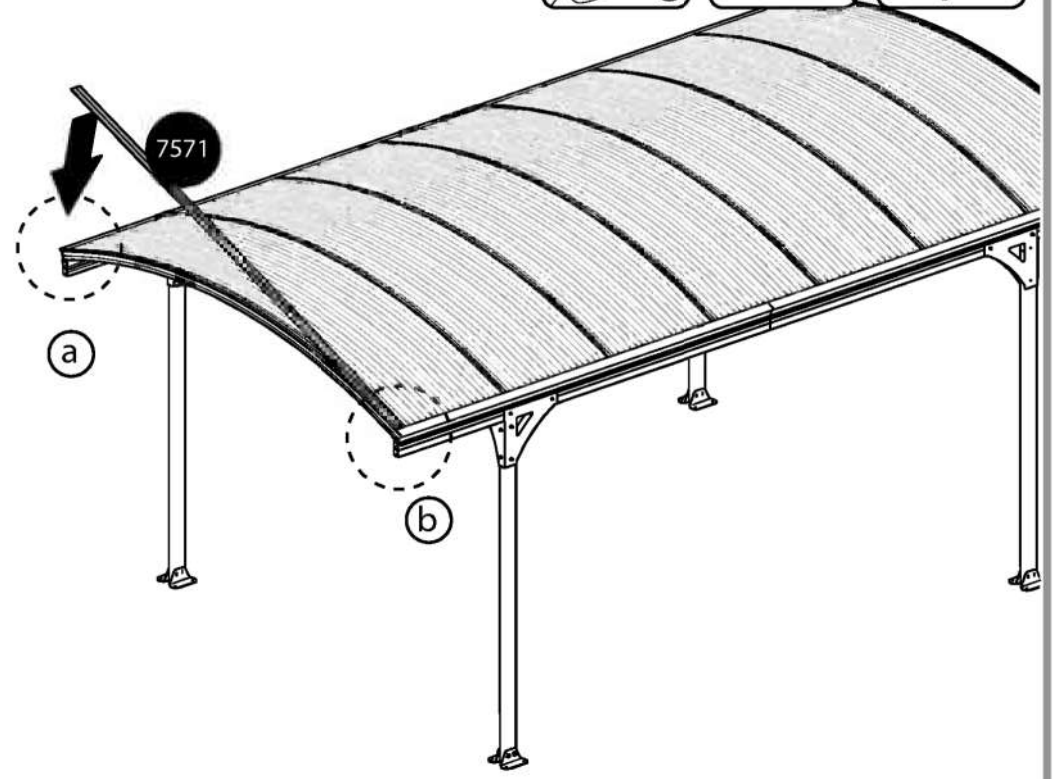
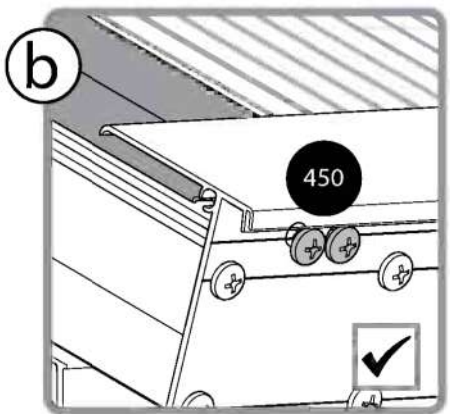
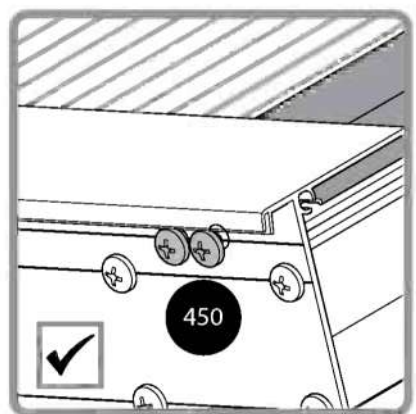
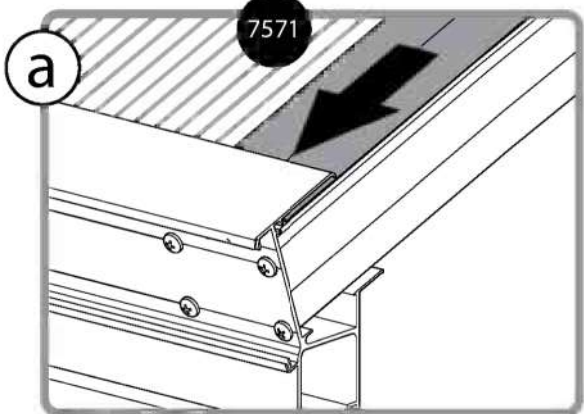


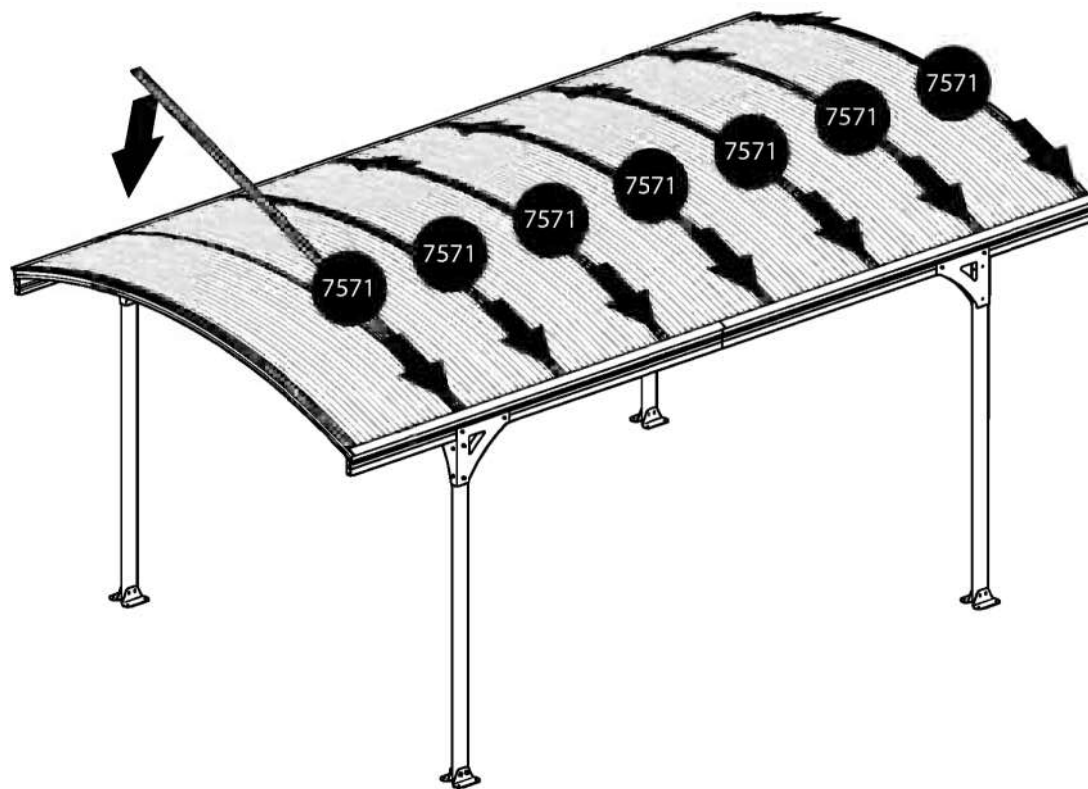
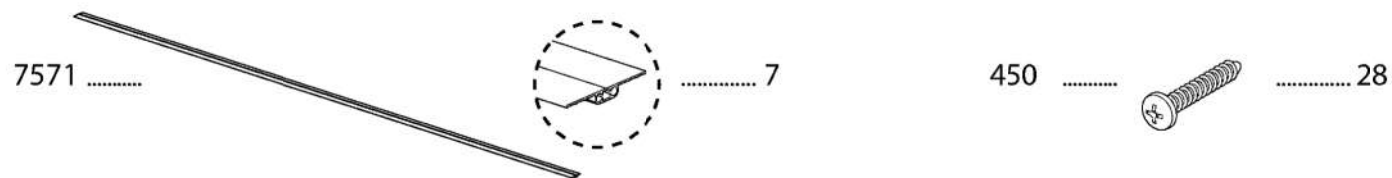
10 **i**



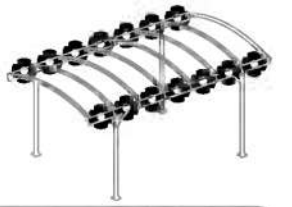


450 .....  ..... 2





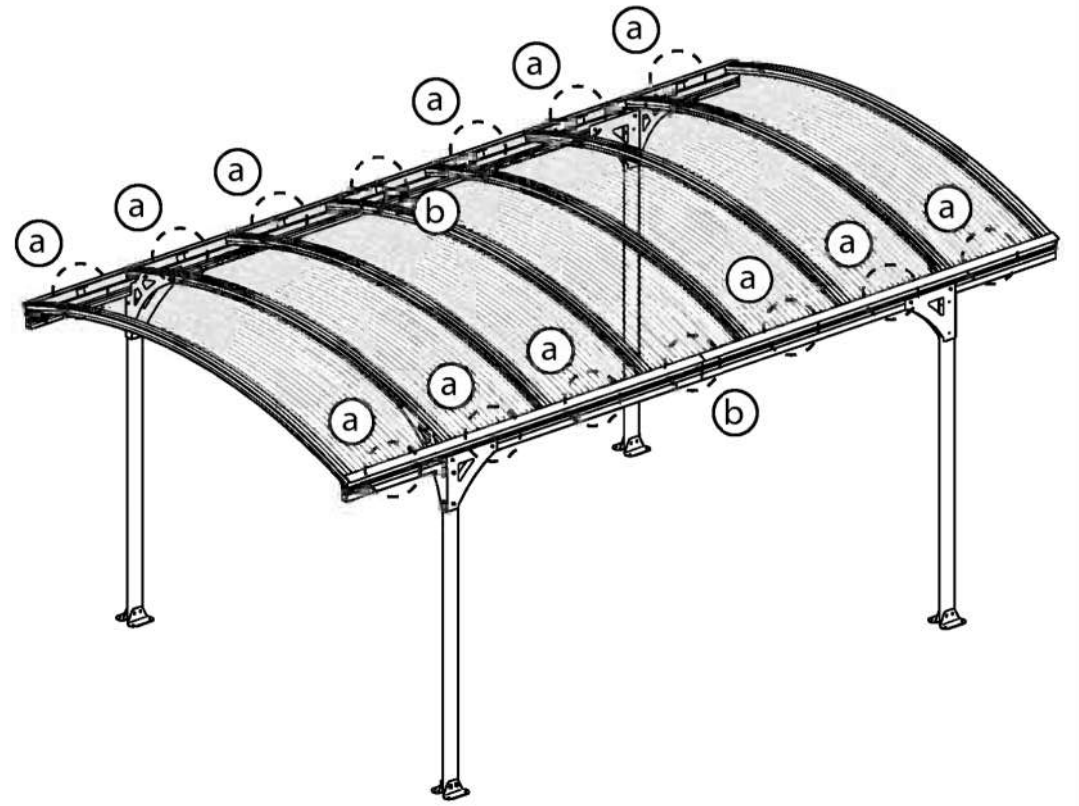
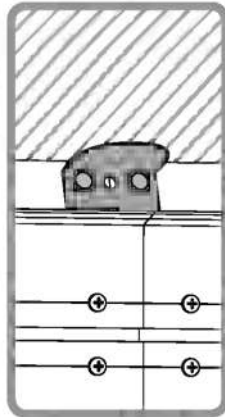
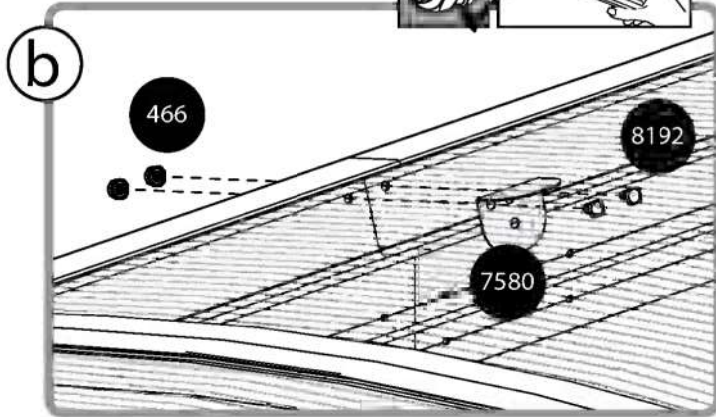
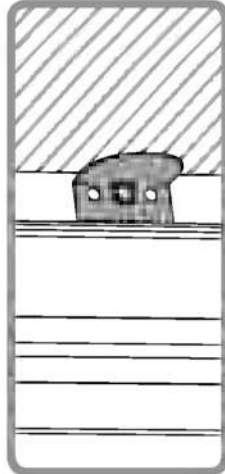
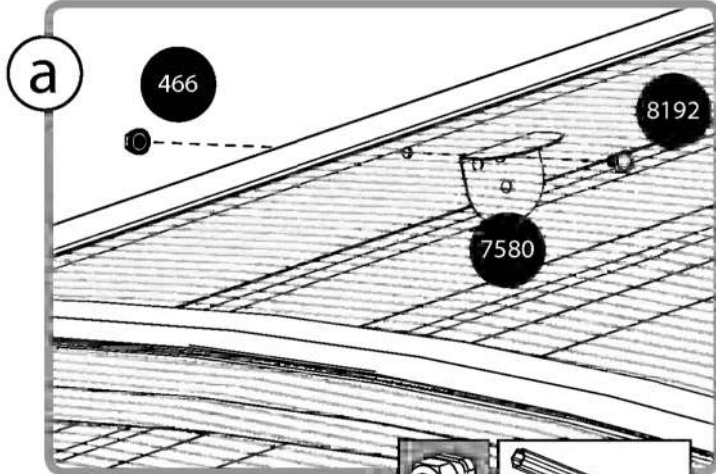




7580 .....  .....14

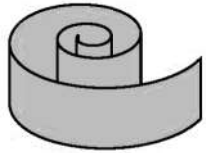
8192 .....  .....16

466 .....  .....16

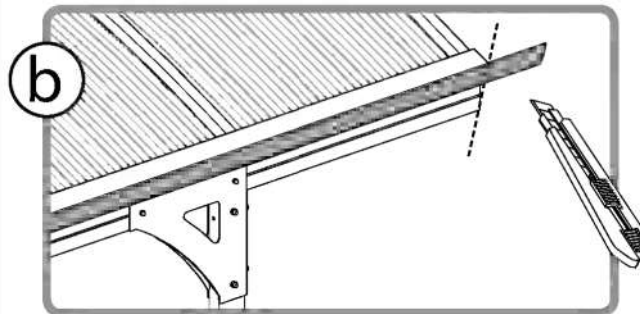
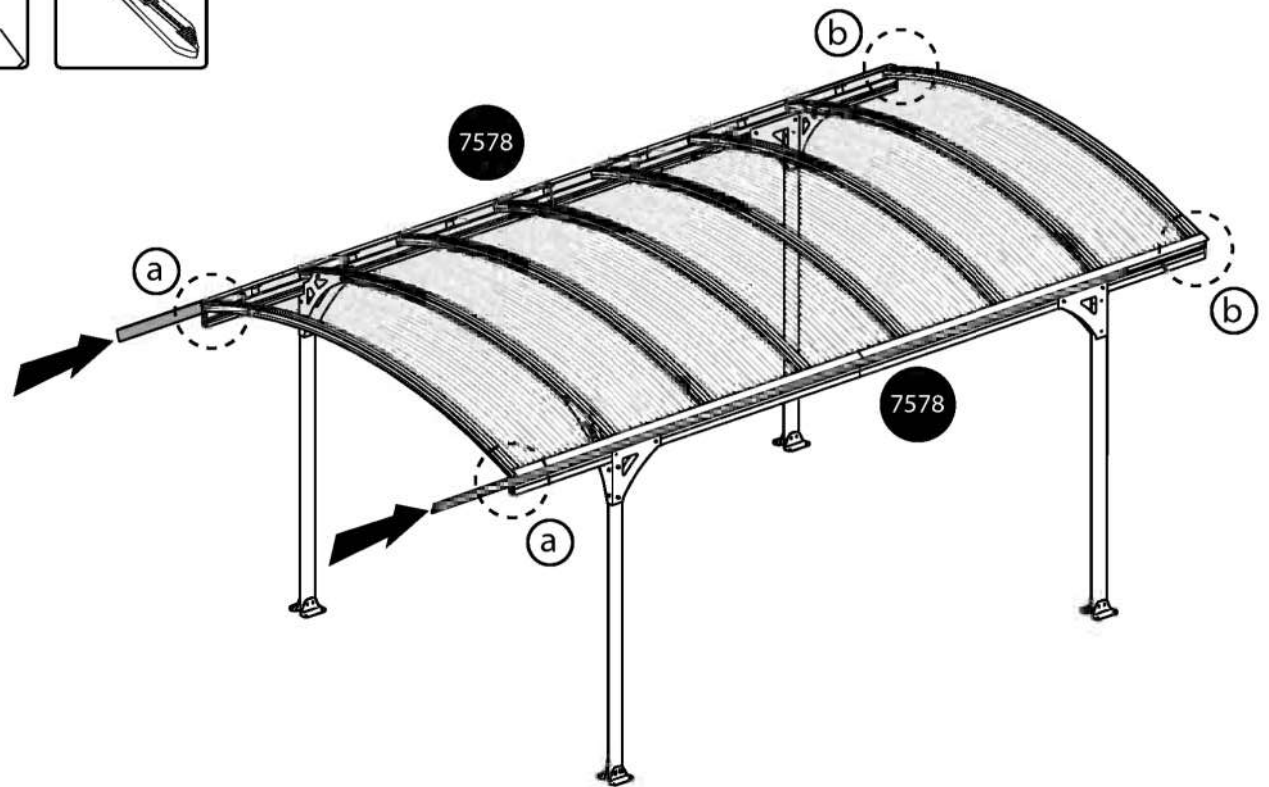
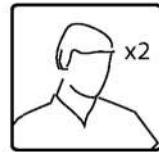
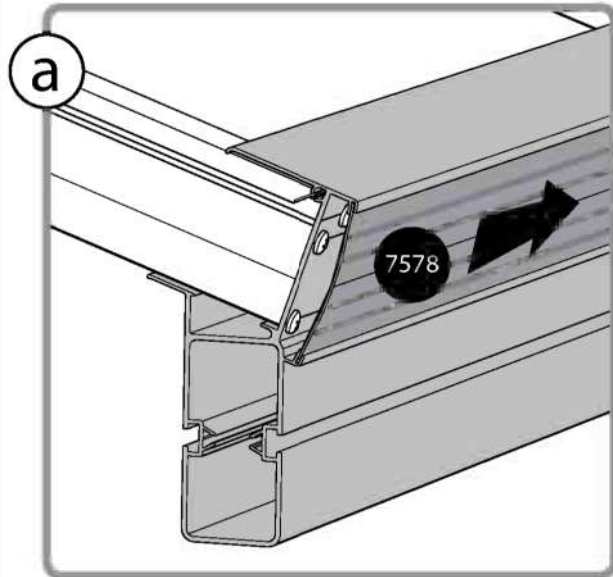


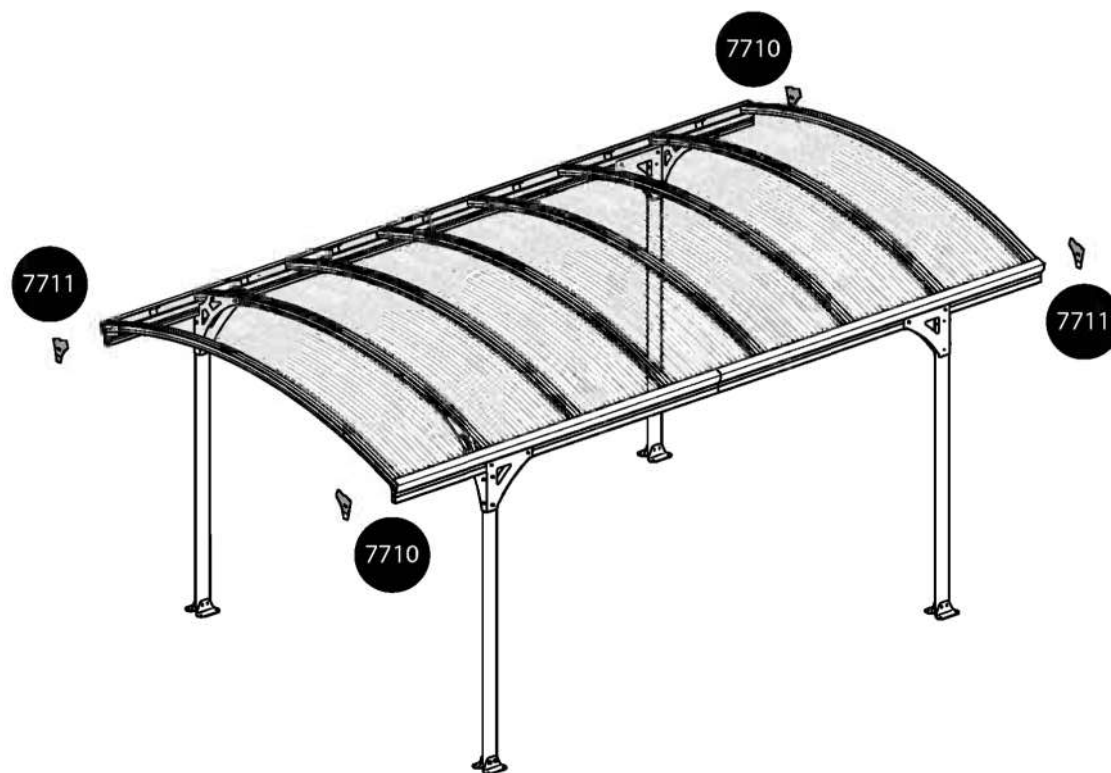
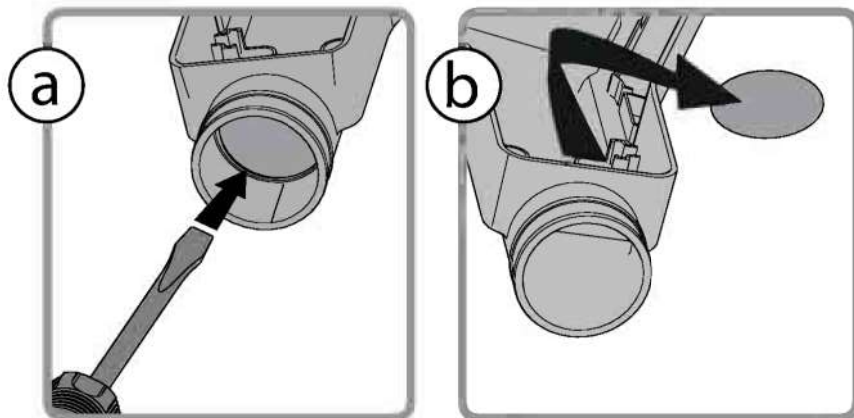
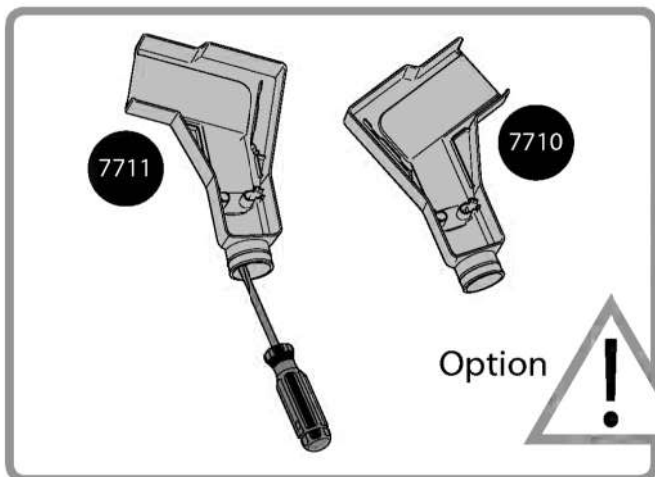
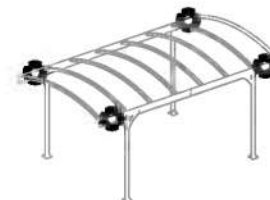


7578 .....






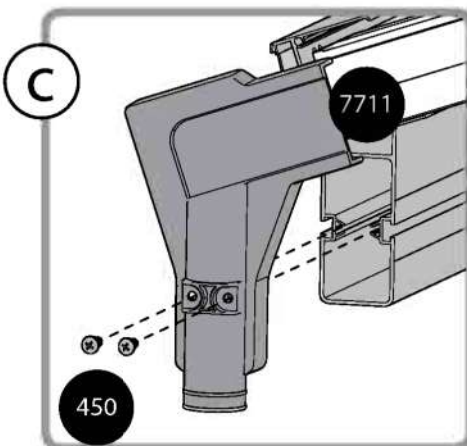
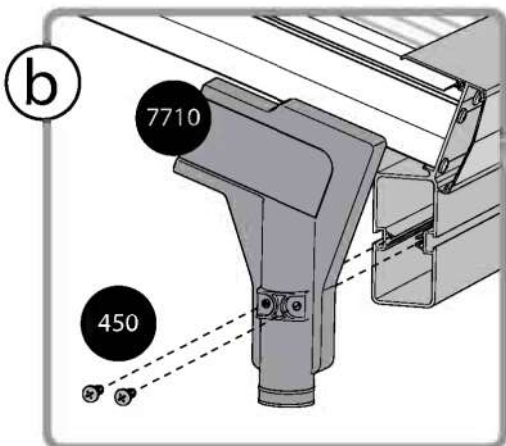
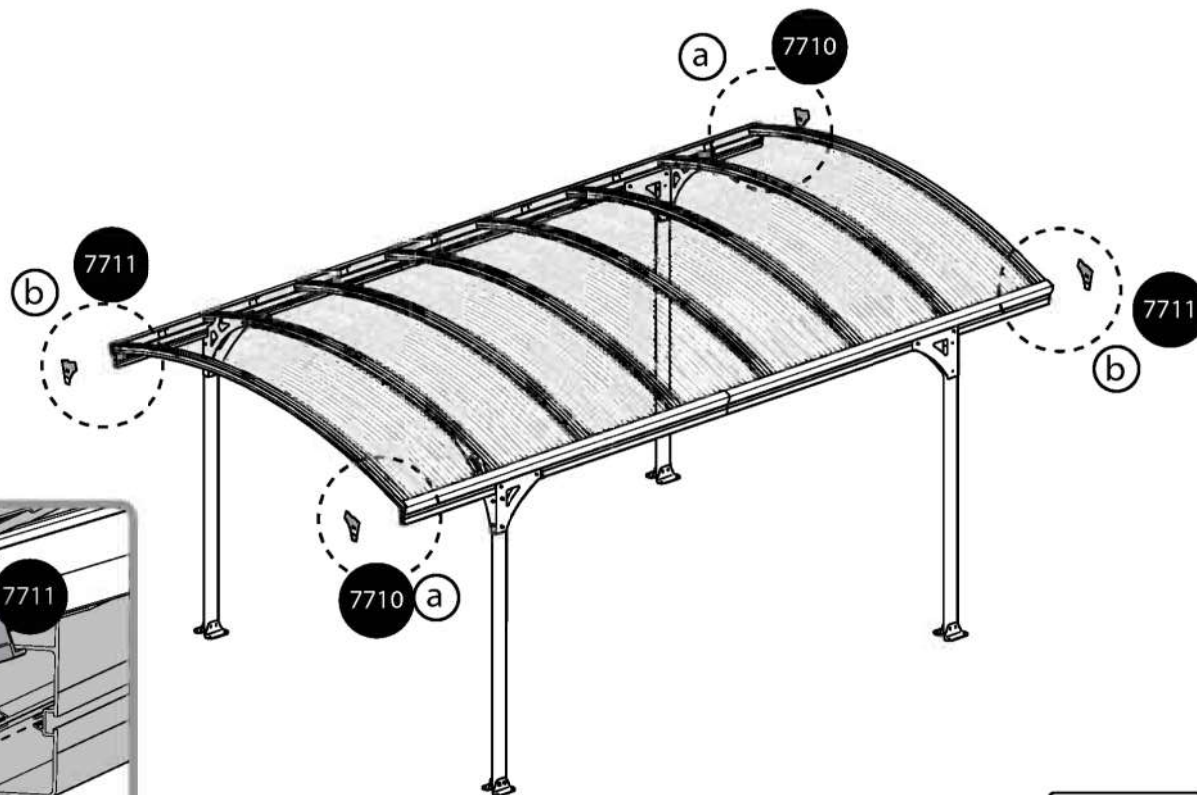
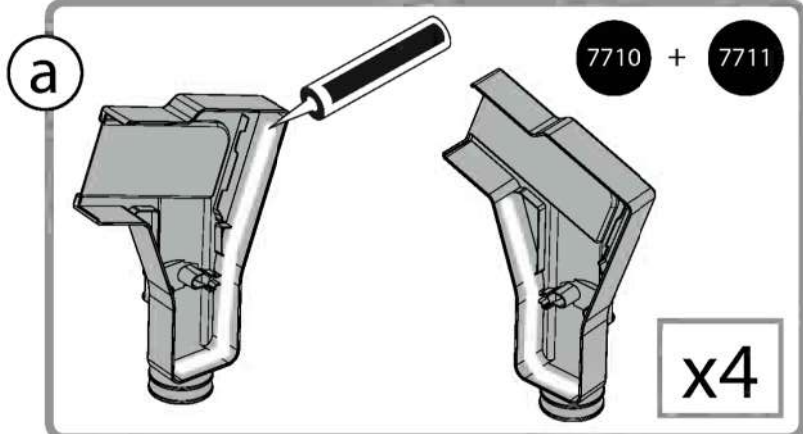
..... 2

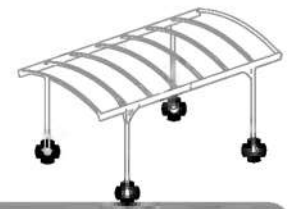




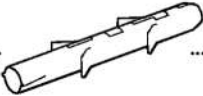


- 7710 .....  ..... 2      7711 .....  ..... 2      450 .....  ..... 8





4000 .....  ..... 16

4010 .....  ..... 16

5000 .....  ..... 16

433 .....  ..... 16

